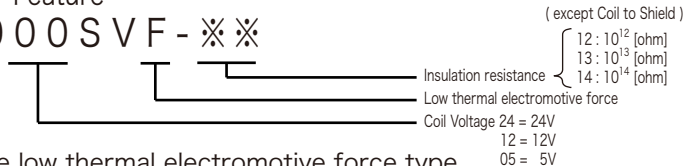


■ Parts Number · Feature

● TEP-1000SVF-※※



- These relays are low thermal electromotive force type.
PCB type of high insulation.

■ Performance

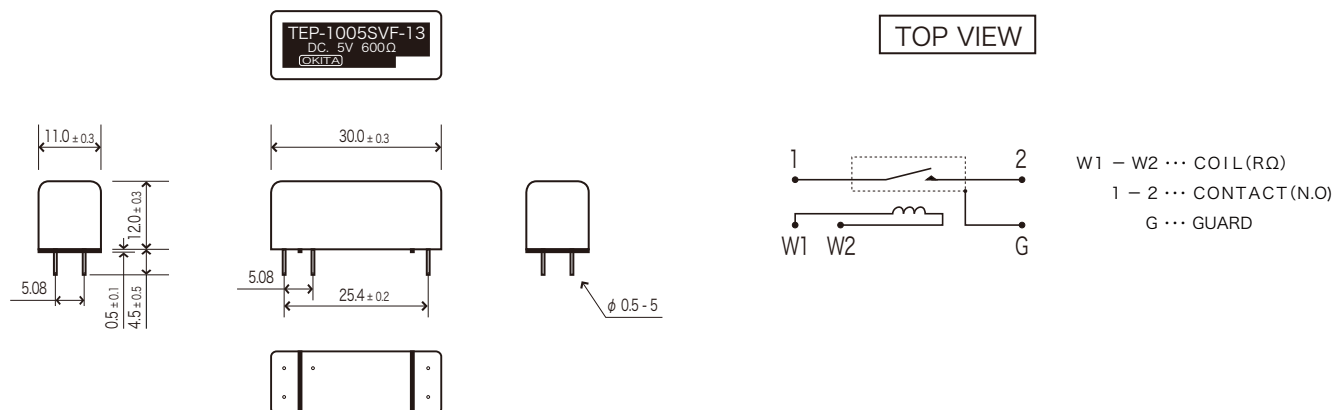
| Specifications | Item | Standard | |
|---------------------------|--------------------------------|---|--|
| Contact Specifications | Contact Form | 1 Form A | |
| | Contact Rating | 50W | |
| | Max Switching Voltage | DC.350V | |
| | Max Switching Current | 1.0A | |
| | Max Carry Current | 3.5A | |
| | Contact Resistance | 80mΩ MAX.(Initial) | |
| Electrical Specifications | Breakdown Voltage | Between Contacts DC.2,000V (1 min) Contact to Shield, Contact to Coil and Shield to Coil DC.2,000V (1 min) | |
| | Insulation Resistance | Open Contacts $1 \times 10^{12} \Omega$ MIN.(DC.100V) Contact to Shield, Contact to Coil $1 \times 10^{12} \Omega$ MIN.(DC.100V) | |
| | Capacitance | Across Open Contacts | 0.2pF TYP. (Connect G terminal to earth) |
| | | Contact to Shield | 1.5pF TYP. |
| | | Contact to Coil | 1.0pF TYP. |
| | Thermal Electromotive Force | 5μV MAX. | |
| | Operate Time | (Include bounce) 1.5mS MAX.(at Nominal Voltage) | |
| Release Time | 0.5mS MAX.(at Nominal Voltage) | | |
| Mechanical Specifications | Vibration | 20G(10~2kHz,1.5mm) | |
| | Shock | 50G(11mS,1/2 sine wave) | |
| Environment | Operating Temperature | -20°C~+60°C | |
| Life Expectancy | Mechanical | 5×10^8 Operations MIN. | |
| | Electrical | 1×10^8 Operations MIN. (DC.12V-10mA R Load) | |

■ Coil Specifications

| Parts Number | Nominal Voltage DC±10%[V] | Coil Resistance ±10%[Ω]at20°C | Must Operate Voltage MAX.[V]at20°C | Must Release Voltage MIN.[V]at20°C |
|--------------|------------------------------|----------------------------------|---------------------------------------|---------------------------------------|
| TEP-1024SVF | 24 | 3,600 | 19.2 | 2.0 |
| TEP-1012SVF | 12 | 1,800 | 9.6 | 1.0 |
| TEP-1005SVF | 5 | 600 | 4.0 | 0.7 |

TEP-1000SVF Series

■ Dimensions · Terminal Identification (Unit : mm)



Weight approximately 10.0gr.